



RK-F2

Full Auto Ref-Keratometer

An extremely compact, fully automatic Ref-Keratometer which combines high speed, automation and precision for efficient non-invasive ophthalmic diagnosis.



Refractometer



Keratometer

- Canon has been defining the future with innovative solutions for more than 70 years. In all that time we've constantly strived to improve medical diagnostics in healthcare. Perhaps that's what made us a leading global provider of eye care solutions.

Specifications

Specifications

Dimensions	260 W x 490 L x 470 H mm
Weight	appr. 15 kg
Display	Tilting 5.7 inch VGA colour TFT LCD screen
Printer	Thermal line printer with auto cutter
Chinrest	Motorized
Interface	USB Host (input) / RS-232C, LAN (output)
Power	100 - 240 V, 50/60 Hz
Power saving mode	YES
Optional accessories	Chin rest paper, printing paper
Alignment modes	Full Auto, Auto, Fine Control, Tracking and manual

Refractometry

Sphere (SPH)	-30 to +22D (Increments: 0.12 & 0.25D)
Cylinder (CYL)	0 to ±10D (Increments: 0.12 & 0.25D)
Axis (AX)	1° to 180° (Increments: 1°)
Pupil distance (PD)	30 to 88 mm
Min. pupil size	2.0 mm

Keratometry

Radius of curvature	5 to 10 mm (Increments: 0.01 mm)
Corneal power	33.75 to 57.5D (cornea refractive index = 1.3375)
Axis	1° to 180° (Increments: 1°)
Corneal periphery	Measurement area: 30° (when radius of curvature is 8 mm)
Corneal diameter	2.0 to 14.0 mm

Further than the eye can see



come

and

see



RK-F2 FULL AUTO
REF-KERATOMETER

Canon

Canon

Our vision lets you see more



Camera: Canon EOS 1Ds Mark III [7.1] [4.00] [ISO 200]

Insightfulness. The intelligent RK-F2 Ref-Keratometer with fully automatic, fast 3D alignment and measurement.



The compact and lightweight RK-F2 with its fully automatic alignment and measurement system, takes ophthalmic examination to a new dimension of simplification, in just one step.

With the press of a button, the RK-F2 carries out: alignment and measurement of both eyes and provides an automatic print-out of results. This process significantly reduces overall examination time and increases throughput. Speed, in combination with Canon's latest measurement technology increase the accuracy and reliability of eye examinations. The RK-F2 is easier to use, more efficient and precise.

Tilting LCD Screen

40° Display tilt means that the unit can be operated while standing or sitting. Multifunctional switches are placed around the screen.

New design

Compact and lightweight
A great fit in any examination room



At the press of a button

Simply align on the pupil and the advanced, intelligent automatic operation will take over.

- No time-consuming exact alignment or focusing required
- Simply align the RK-F2 approximately on one of the patient's pupils, press the start button and the automatic 3D measurement takes over
- RK-F2 will align, focus and measure both eyes one-by-one: no additional action required by the operator
- Auto measurement can even be done in normal light conditions: no need to darken the room
- Print-out of the measurement is done automatically

Image. Interpret. Innovate.

Advanced 3D fully automated operation Just approximately align on the pupil and press the button - the advanced automatic operation will take over and measurements of both eyes will be performed.

Short examination times The RK-F2 aligns and measures extremely quickly. Even the printout is automatic, minimizing patient discomfort.

Measure pupil diameters as small as 2 mm: For easy measurement of patients with small pupils.

Extensive measurement modes refraction and keratometry, corneal periphery measurement, retro-illumination mode, CLBC and diameter measurement.

Excellent ergonomics The tilting 5.7" colour LCD screen makes it possible to operate the RK-F2 while standing or sitting.

Powered joystick For extremely light 3D alignment and sophisticated fine manual control when measuring cataract patients in the retro-illumination mode.

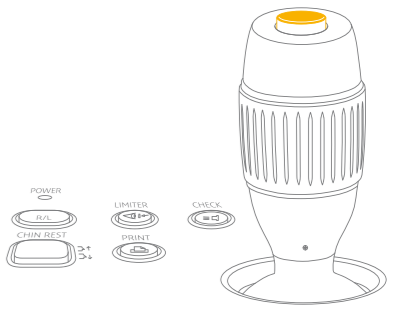
Tracking mode For measuring young children and patients with nystagmus. The RK-F2 will automatically maintain the correct distance to the patient's eye so the operator can concentrate on the alignment.

Extended connectivity With USB, RS-232C and LAN connections for easy network integration with existing practice management systems.

Fast point-and-click alignment

Accuracy and speed are essential for optimized workflow efficiency. Due to its intelligent full 3D alignment functionality, the RK-F2 can start a complete measurement procedure with only a basic alignment on one eye.

With a simple push of the button, the RK-F2 conducts automatic examination of both eyes from alignment to printing.

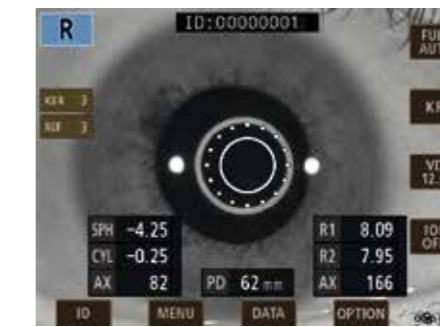


Powered Joystick

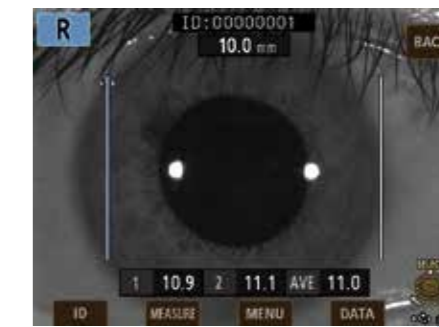
- Accurate, automatic and fast measurement at the push of a button
- Advanced automated alignment for complete examinations



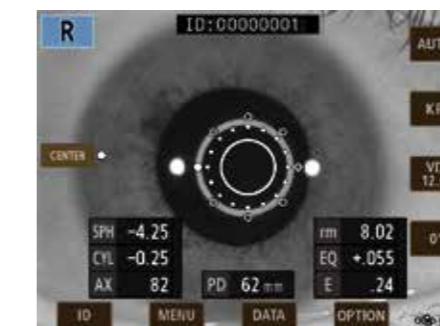
Extensive measurement modes



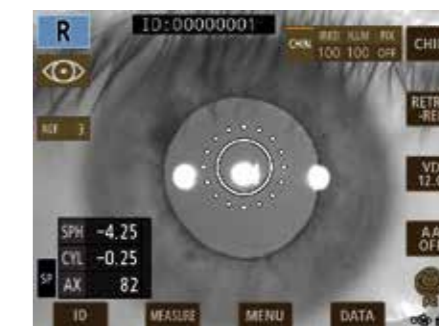
Refraction and central keratometry, with very high reliability and precision.



Diameter measurement of the pupil, cornea or contact lens can be performed.



Corneal periphery measurement, eight points can be measured for the peripheral keratometry.



Retro-illumination mode, useful for identifying cataracts, vitreous opacity, scars, and other serious eye problems.



CLBC mode, useful for determining the base curve of a contact lens.